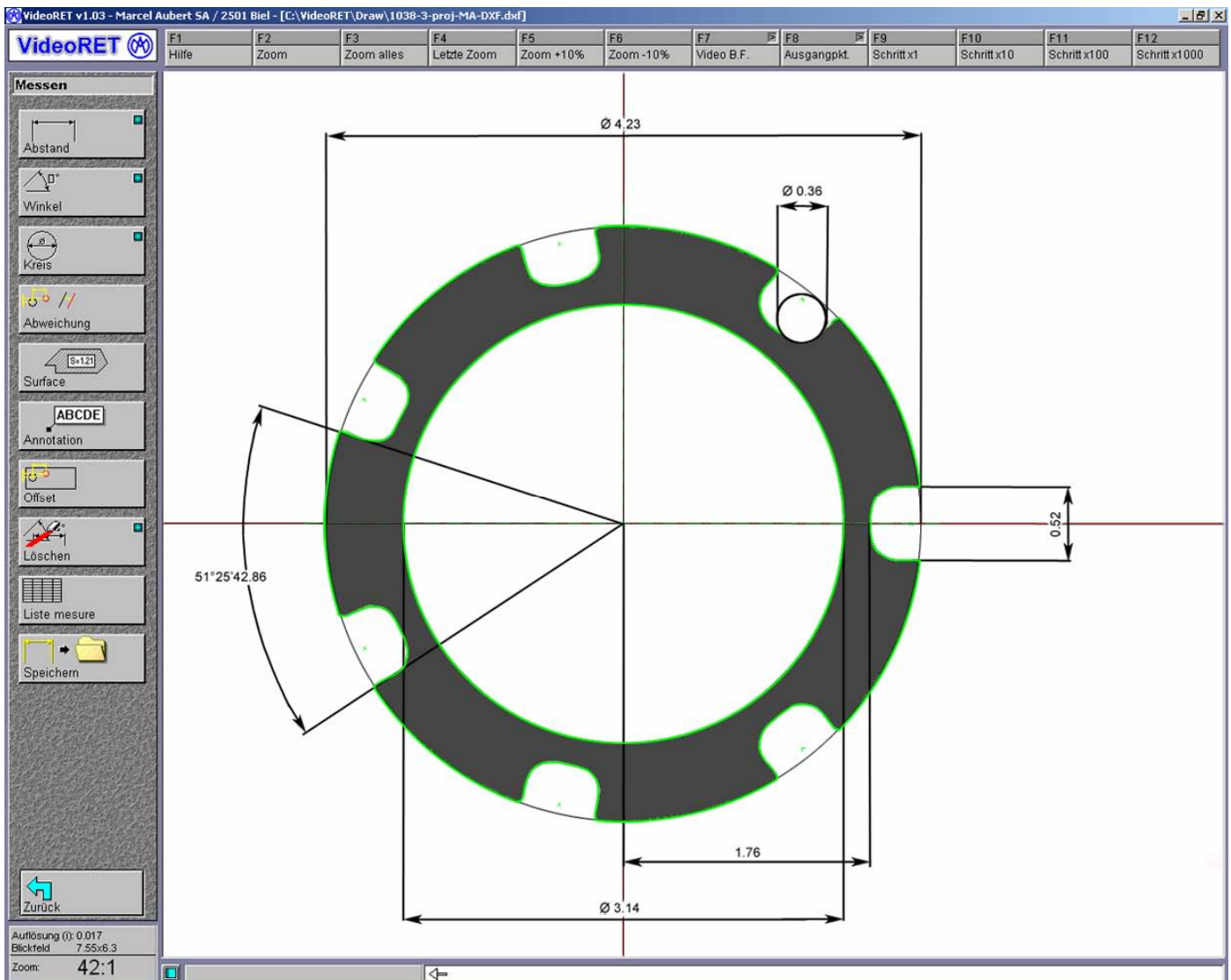




VideoRET Measuring and comparison software



for Windows[®] 2000 / XP
including video card Euresys

Description:

- Simple and fast comparison of the CAD files on a video image.
 - Measuring functions **only in the field of view**: distance, angle, diameter, radius etc.
 - Free positioning of the work pieces as so as alignment and positioning of the drawings.
 - Optical magnification from 5x to 800x.
 - Digitalisation, display and memorisation of the form deviation.
 - Maximal contrast with incident light illuminator given by the sensibility of the video equipment.
 - Direct access to the most important functions (individual programmable) with the keys F1 to F12.
 - Memorisation of the video image in the format: jpg / bmp / emf.
-

Technical datas:

Display accuracy	depending of the optic
Measuring accuracy	approx. ½ of the pixel size
Number of the calibrating memorisations	unlimited
Video output	PAL, Y/C and NTSC
Importation of the CAD – files in form or on request	DXF (AutoCAD) IGES (Matra), DDW (UniCAD), PLT (HP-GL2), EWMF (Win32) and TXT (Macro)
Print of the video images	standard Windows applications (Paint, Word, etc.)
Function for the direct print with videoRET	yes

System requirements:

- Intel Pentium 4, 256 MB RAM
- Hard disc with 30 MB free space
- CD-ROM drive
- 1 free PCI slot
- Graphic board "ATI" (AGP), with min. 32 MB RAM
- Windows® 2000 / XP
- Monitor with a resolution of min. 1024 x 768 / 16 millions of colours